

## Jacket Heater for Gas Filter



Jacket heater FBR series for gas filter baking is epochal product baking filter at high temperature of 200°C.

- Easily detachable from filter
- 200°C baking possible
- Safety design with heating-proof interlock and breaking detection in controller unit
- Easy setting of temperature and time etc. by remote controllable digital controller unit
- Space saving thin and light weight heater design.

N<sub>2</sub> purge alone is not effective once metallic surface or element in filter absorb water in the air. With H<sub>2</sub>O or O<sub>2</sub> existing in atmosphere, pollution or corrosion is generated by reactive materials in filter or process chamber by reaction with water at room temperature. In order to desorb water or other degas materials, baking at 200°C or higher is most effective. Pureron's epochal development realized baking filter at 200°C and degas amount (amount of water) at 1.2ppb by APIMS measurement.

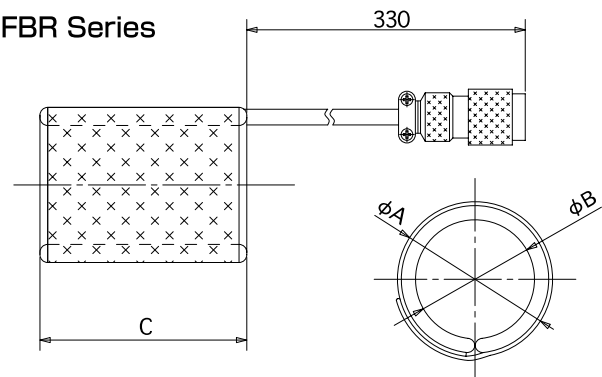
## Specification

Max. Operating Temperature	200°C
Power Supply	AC100V
Power Consumption	60W to 100W (0.6A to 1A)
Max. Heating Time	100Hrs (digital setting)
Temperature Adjustment	PID control (digital setting)
System Configuration	Heater unit and controller unit
Accessory	Power supply cord, relay cord
Option	Multi channel scan type controller, other option is applicable.

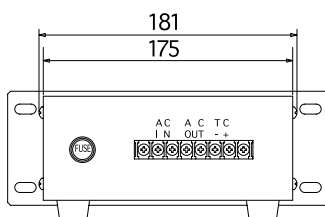
## Dimensions & Outline Drawings

Model	External Diameter	Internal Diameter	Length
	A(mm)	B(mm)	C(mm)
FBR-2	60.0	43.0	80.0
FBR-3	60.0	43.0	50.0
FBR-5	50.0	30.0	50.0

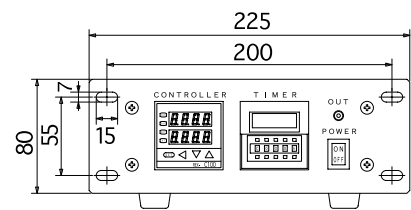
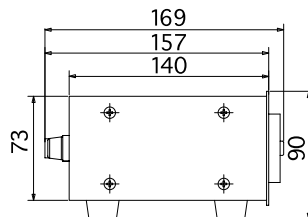
### FBR Series



### FBC-1000DA



Rear Face Panel



## How to Order

Filter Model  
**FBR - 5**

5 : PGF-5/UCF-S  
3 : PGF /PGFL-3  
2 : PGF /PGFL-2

●Extension Cable for FBR Series  
Length of Cable

**FB-CS- 1 M**

※By 1 meter, 1 to 5m

●Digital Temperature / Time Controller (Separately Available)

**FBC - 1000DA**

1000DA : 1CH  
1200DA : 2CH  
2300DA : 8CH

※Controller unit for setting temperature and time etc. is designed to be used for both of GCW and FBR.

※Specification is subject to change without notice.